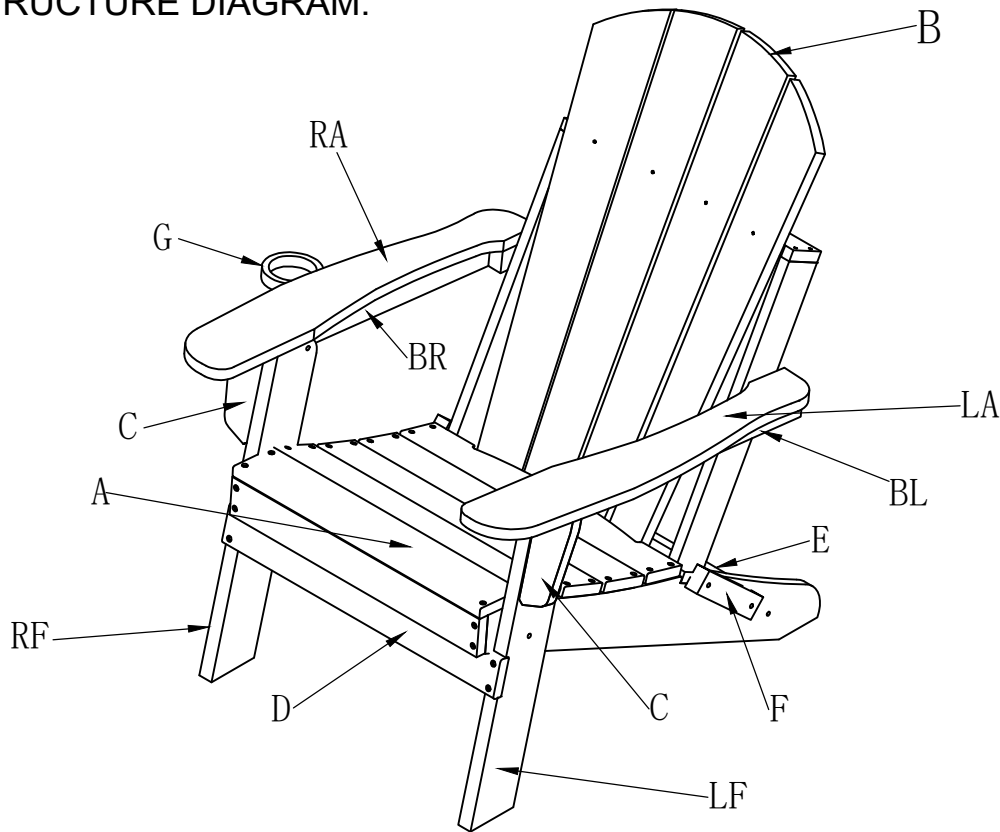


















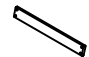

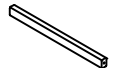




ASSEMBLY INSTRUCTIONS MODEL: KSA-3401F

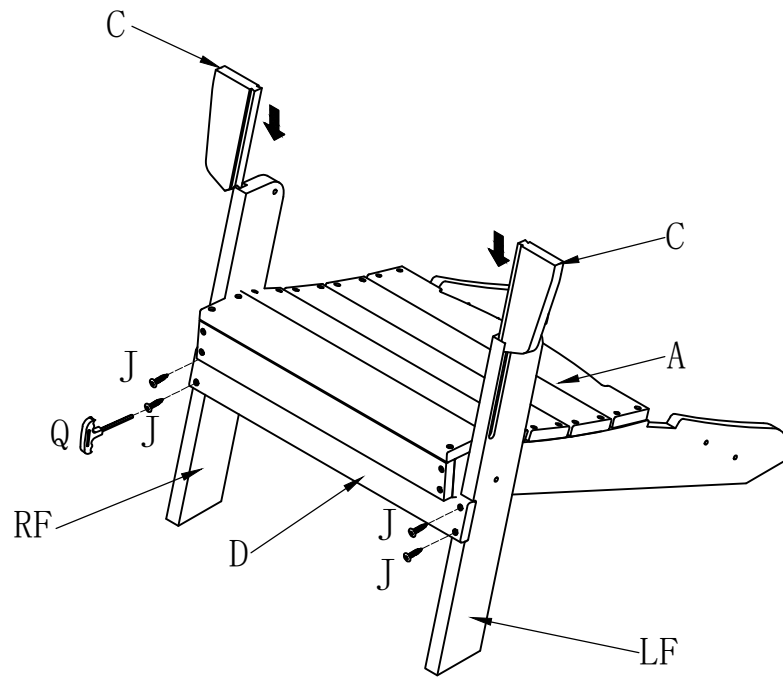
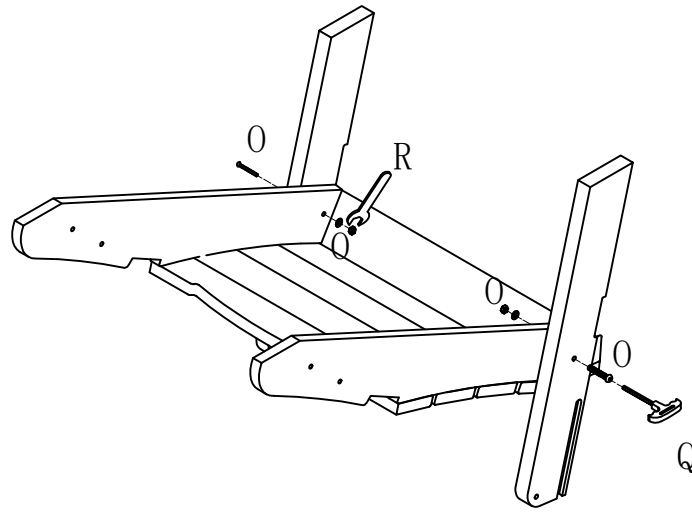
STRUCTURE DIAGRAM:



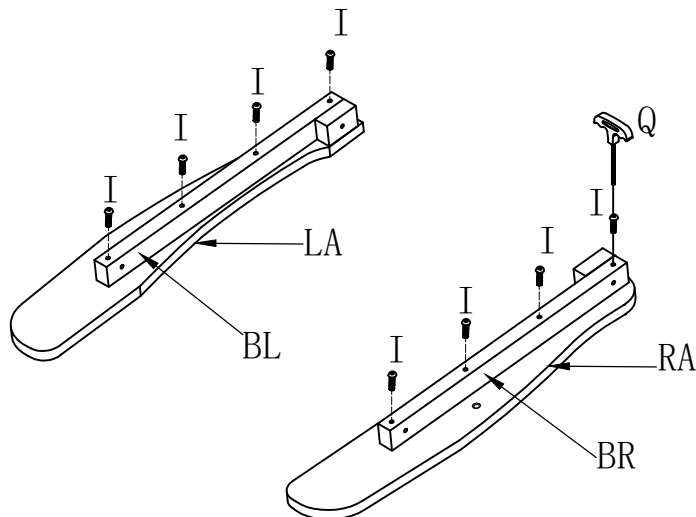
CHAIR PARTS INCLUDED:

 (A) Seat x1 unit	 (G) Drink holder x1 unit
 (B) Backrest x1 unit	 (I) 1.58" Bolt x8 units
 (LA) Left armrest x 1 unit	 (J) 1.58" Screw x 4 units
 (RA) Right armrest x 1 unit	 (K) 2.36" Bolt With Washer & Nut x2 sets
 (BL) Left handrail reinforcement bar x 1 unit	 (L) 2" Screw x 4 units
 (BR) Right handrail reinforcement bar x 1 unit	 (M) 3.15" Bolt With Washer & Nut x2 sets
 (LF) Left foot x 1 unit	 (N) 2" Bolt With Washer & Nut x2 sets
 (RF) Front foot x 1 unit	 (O) 2.17" Bolt With Washer & Nut x2 sets
 (C) Arm support x 2 units	 (P) 1.18" Bolt With Washer x1 sets
 (D) Front Leg brace x 1 unit	 (Q) T-Wrench x 1 unit
 (E) Rear brace x1 unit	 (R) Nut Wrench x 1 unit
 (F) Rotating plate x2 units	

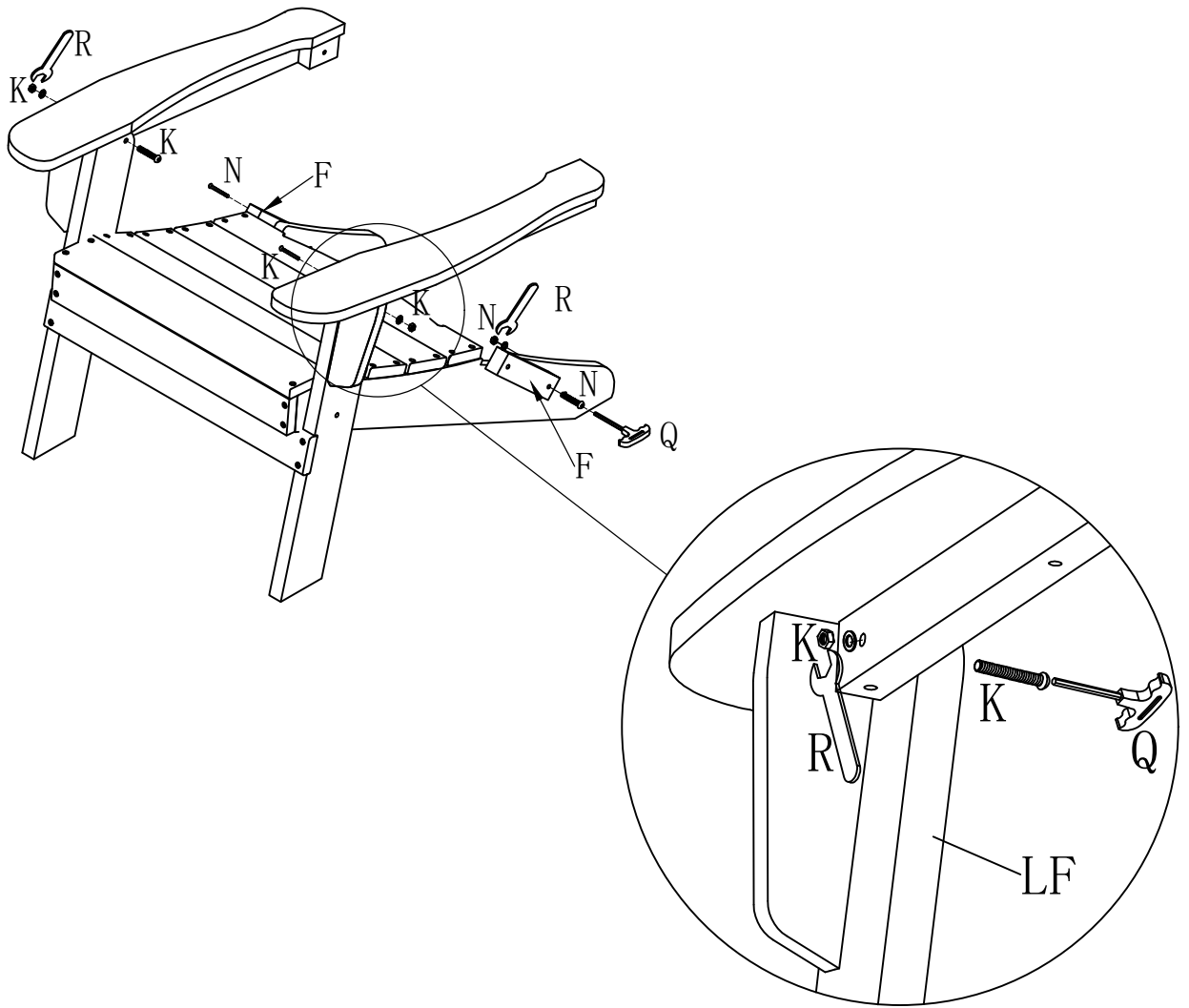
STEP 1:



STEP 2:



STEP 3:



STEP 4:

